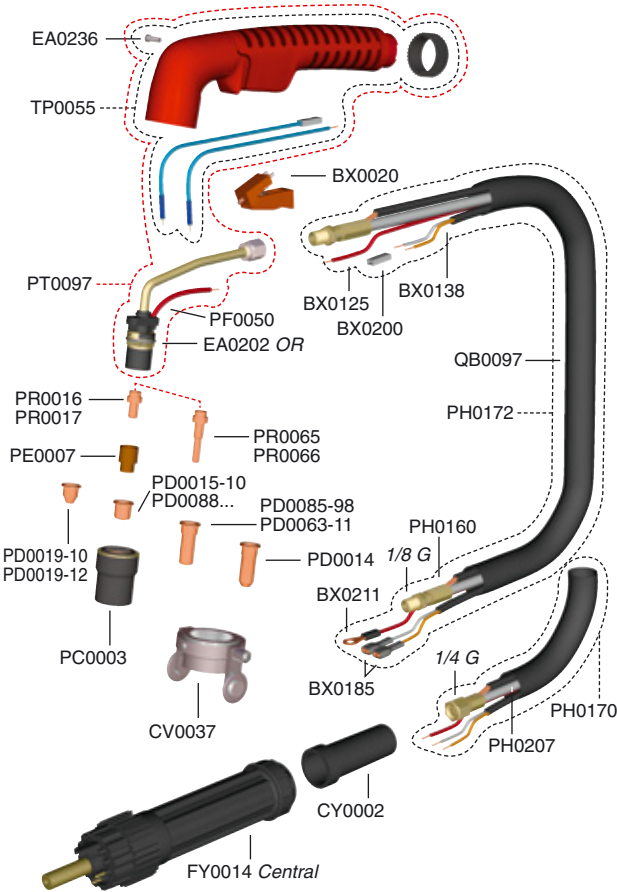




ERGOCUT CB 50

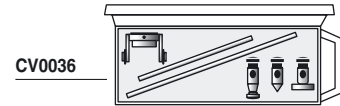


IEC 60974-7



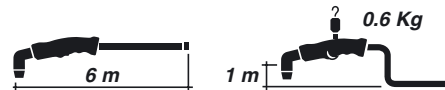
COMPLETE TORCH

Pt. No.	Description	Pack	Euro	D
PA1300	Plasma ERGOCUT CB 50 torch 6m 1/8G	1	140,00	A
PA1302	Plasma ERGOCUT CB 50 torch 6m central adaptor	1	165,00	A



TECHNICAL DATA

Voltage class	M
Standard length m	6
Air consumption	165 l/min
Air pressure	5 bar
Duty cycle 60%	50 A
Duty cycle 100%	40 A



Pt. No.	Description	Pack	Euro	D
BX0020	Trigger	10	4,50	A
BX0125	Cable for pilot arc per meter		0,80	B
BX0138	Control cable per meter		2,50	B
BX0185	Female faston	10	0,60	B
BX0200	Female Trigger Wire Connector	10	1,00	B
BX0211	Nipple	50	0,30	B
CV0036	Circle cutting attachment CB 50	1	52,00	A
CV0037	Carriage CB 50	1	21,00	A
CV0092	Flowmeter CB 50	1	4,50	A
CY0002	Cable Support	1	1,10	B
EA0202	O-ring	10	0,25	A
EA0236	Screw	10	0,35	A
FY0014	Male central adaptor 7 pins	1	31,50	A
PC0003	Outside nozzle CB 50 (5710121)	4	6,00	A
PD0014	Long conical tip 1306	10	1,30	A
PD0015-10	Tip CB 50 / HY 40 (020115 - 1304)	10	0,80	A
PD0019-10	Tip Ø 1,0 (020131)	10	1,10	A
PD0019-12	Tip Ø 1,2	10	1,10	A
PD0063-11	Long tip Ø 1,1 long life CB 50 / 70	10	1,20	A
PD0085-98	Tip (1366)	10	1,20	A
PD0088-10	Tip Ø 1,0 long life CB 50 / 70	10	0,85	A
PD0088-11	Tip Ø 1,1 long life CB 50 / 70	10	0,85	A
PD0088-12	Tip Ø 1,2 long life CB 50 / 70	10	0,85	A
PE0007	Air diffuser HY 40 / CB 50	2	7,50	A
PF0050	Torch head ERGOCUT CB 50	1	60,00	A
PH0160	Air-power cable 6m 1/8G	1	47,00	B

Pt. No.	Description	Pack	Euro	D
PH0170	Cable assembly 6m central adaptor	1	100,00	B
PH0172	Cable assembly 6m 1/8G	1	80,00	B
PH0207	Air-power cable 6m 1/4G A 81	1	37,00	B
PR0016	Electrode - Zr. (1521-Z)	10	0,95	A
PR0017	Electrode - Hf. CB 50 / HY 40 (020103 / 1521-H)	10	1,05	A
PR0065	Long electrode - Hf. CB 50 (1518-H)	10	1,60	A
PR0066	Long electrode - Zr. CB 50 (1518-Z)	10	1,50	A
PT0097	Complete Handle ERGOCUT CB 50	1	62,00	B
QB0097	Rubber hose 20x22		4,20	B
TP0055	Ergocut CB 50 / 70 handle	1	26,00	A

Plasma Range

trafimct®